

PLEASE CHECK WWW.MOLEX.COM FOR LATEST PART INFORMATION

Part Number: [0948359000](#)
Status: **Active**
Overview: [splash_proof](#)
Description: Splash Proof Cover for 2.50mm (.098") Pitch Wire-to-Wire Receptacle Housing

Documents:

[Drawing \(PDF\)](#) [RoHS Certificate of Compliance \(PDF\)](#)
[Product Specification PS-94835-001 \(PDF\)](#)

General

Product Family	Accessories
Series	94835
Component Type	Cover
Overview	splash_proof
Product Name	Splash Proof

Physical

Circuits (Loaded)	0
Color - Resin	Black
Packaging Type	Bag

Material Info

Reference - Drawing Numbers

Product Specification	PS-94835-001
Sales Drawing	SD-94835-001

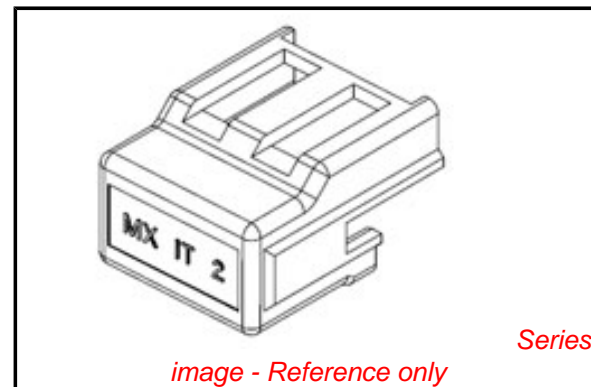


image - Reference only

EU RoHS

**ELV and RoHS
Compliant**
**REACH SVHC
Contains SVHC: No**
**Halogen-Free
Status
Not Reviewed**

China RoHS

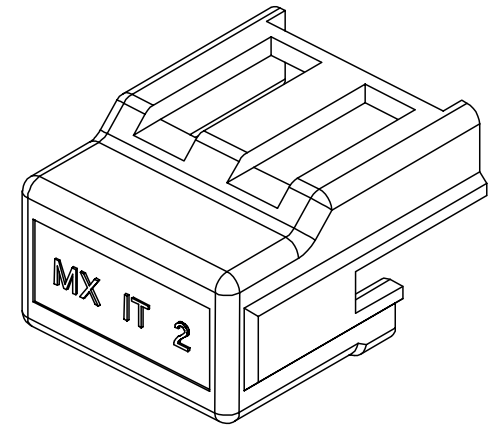
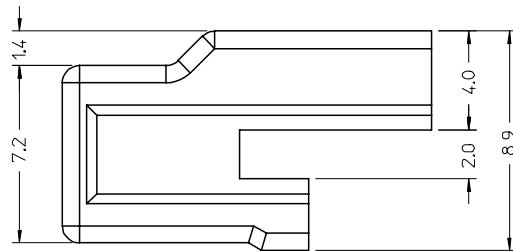
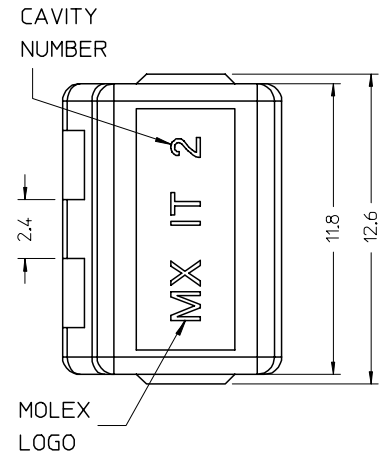
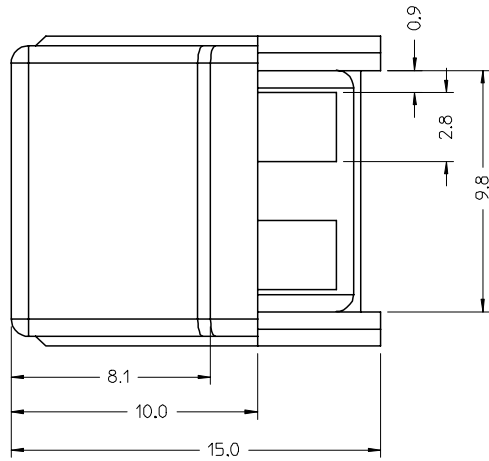
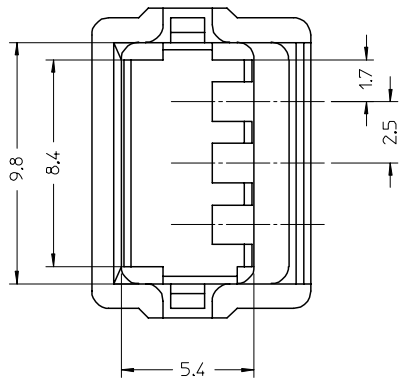


**Need more information on product
environmental compliance?**

Email productcompliance@molex.com
 For a multiple part number RoHS Certificate of
 Compliance, [click here](#)

Please visit the [Contact Us](#) section for any
 non-product compliance questions.

Search Parts in this Series
[94835Series](#)



NOTES:

- 1- MATERIAL: PBT 20% GF BLACK
- 2- PACKAGING: IN BOX
- 3- SPQ: 9000 PCS

Std Descr.: COVER

ENTER DESCRIPTION EC NO: Z2006-0145 DRWN:RSANDANO 2006/02/24 CHKD:RSANDANO 2006/02/24 APPR:SBARBIER 2006/02/27	DESCRIPTION REV	QUALITY SYMBOLS	GENERAL TOLERANCES (UNLESS SPECIFIED)	DIMENSION STYLE	SCALE	DESIGN UNITS	FIRST ANGLE PROJECTION	
		$\nabla = 0$ $\sphericalangle = 0$	mm INCH 4 PLACES \pm --- \pm --- 3 PLACES \pm --- \pm --- 2 PLACES ± 0.05 \pm --- 1 PLACE ± 0.1 \pm --- ANGULAR $\pm 3^\circ$	MM ONLY	5:1	METRIC	COVER FOR 52117 SERIES	
				DRAWN BY	DATE	TITLE		
				APPROVED BY	DATE			
				MATERIAL NO.	DOCUMENT NO.		SHEET NO.	
			DRAFT WHERE APPLICABLE MUST REMAIN WITHIN DIMENSIONS	948359000	SD-94835-001		1 OF 1	
				SIZE A3	THIS DRAWING CONTAINS INFORMATION THAT IS PROPRIETARY TO MOLEX INCORPORATED AND SHOULD NOT BE USED WITHOUT WRITTEN PERMISSION			